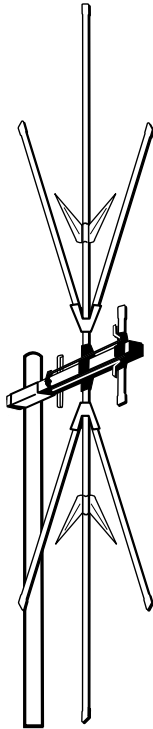


**New Improved
Heavy-Duty!**

ST2



ST2

Omni-directional Outdoor Scanner Antenna with Matching Transformer and 50' of RG-6 Coaxial Cable, with F-to-BNC adapter

BEFORE YOU BEGIN

Your antenna has elements which are resonant in the 30-54 MHz, 108-174 MHz, 450-470 MHz, 470-512 MHz, and 800-912 MHz bands. They work together to give you frequency coverage from 30 MHz to 1300 MHz. Before you begin assembly, read this manual and the Consumer Product Safety Commission information. For your safety and convenience, plan each step of the installation and purchase the necessary hardware in advance. The order in which you perform the steps and the hardware required depends on the mounting and connection methods you choose. Your antenna comes complete with a matching transformer, 50 feet of RG-6 coaxial cable with a F-to-BNC adapter.

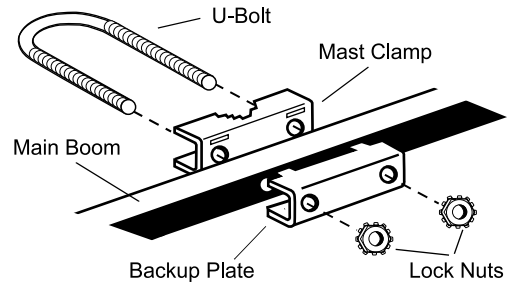
We recommend two people assemble the entire antenna on the ground, then mount the assembled antenna on the mast. The following steps are required to assemble your antenna.

Warning: When you install your antenna, use extreme caution. If the antenna starts to fall, let it go! It could contact overhead power lines. If the antenna touches the power line, contact with the antenna, mast, cable, or guy wires can cause electrocution and death. Call the power company to remove the antenna. **Do not attempt to remove it yourself.**

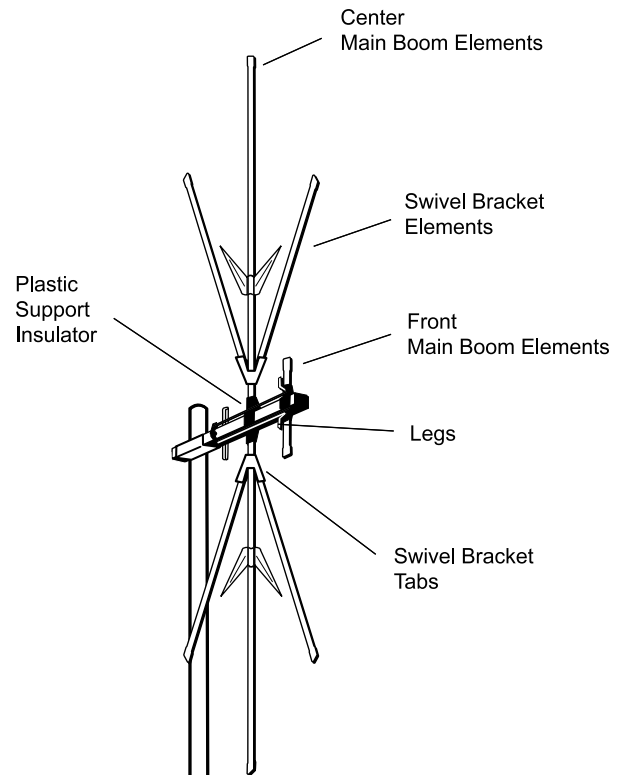
WARNING: Installation of this product near powerlines is **DANGEROUS**. For your safety, follow the installation directions.

ASSEMBLING THE ANTENNA

1. Use the supplied hardware to loosely attach the supplied mast clamp assembly to the main boom as shown.



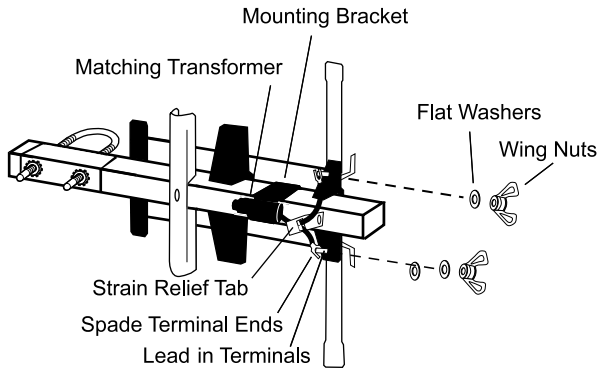
2. Press the supplied large end plugs into the main boom.
3. Hold the center and front main boom elements near the pivot points and unfold them until they snap into the locking plastic support insulators. Position the legs on the smaller front elements outward, so they line up with the elements under them. Pull the swivel bracket elements outward until they snap into the swivel brackets' tabs.



CONNECTING LEAD-IN CABLE TO THE ANTENNA

Follow these steps to connect the RG-6 coaxial lead-in cable to the antenna.

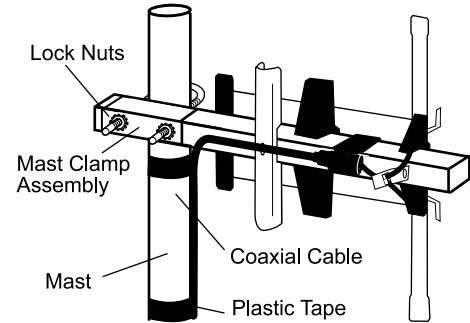
1. Slide the supplied matching transformer's weatherboot over the end of the cable.
2. Hold the sides of the mounting bracket open and press the bracket onto the boom until it snaps around the boom. Slide the matching transformer into the bracket with its spade terminal ends pointing toward the end of the antenna's main boom.



3. Thread the spade terminal ends through either slot of the antenna's strain-relief tab. Use the supplied washers and wing nuts to secure the ends to the antenna's lead-in terminals.
4. Attach the coaxial cable's F-connector to the transformer.

ATTACHING TO THE MAST

1. Slide the antenna's mast clamp assembly over the end of the mast. Then tighten the mast clamp assembly's lock nuts to hold the antenna in place. Take care not to overtighten the nuts.



Notes:

- Use a plastic tape to secure the cable to the mast at about 3 foot intervals.
 - Use coaxial nail clips every few feet to secure the cable to walls.
 - Use a 75-ohm grounding block where the cable enters the house. Read the Consumer Product Safety Commission information Sheet for grounding instructions.
 - Use a wall-through tube to neatly route the cable through walls.
2. Attach the F-to-BNC adapter to the F-connector of the supplied coaxial cable, then attach the adapter to the scanner's antenna input.